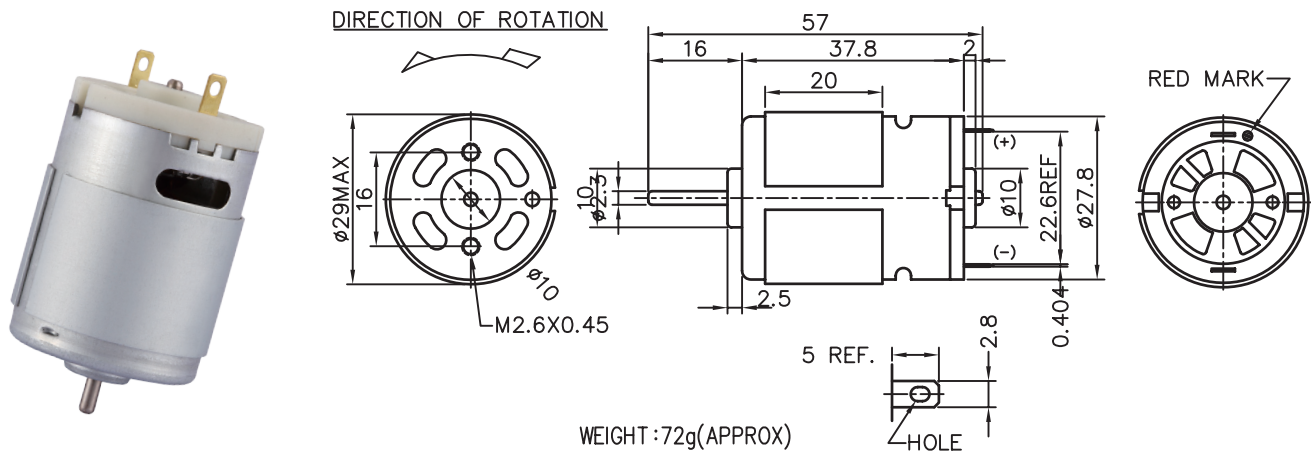


Application : Hair Dryer 、 Vacuum Cleaner

用途：吹風機、吸塵器



WEIGHT : 72g (APPROX)

MODEL	VOLTAGE		NO LOAD		AT MAXIMUM EFFICIENCY					STALL			
	OPERATING RANGE	NOMINAL	SPEED rpm	CURRENT A	SPEED rpm	CURRENT A	TORQUE g-cm	TORQUE mN-m	OUTPUT W	EFF %	CURRENT A	TORQUE g-cm	TORQUE mN-m
LS5N-2445	6.0 - 12.0	12.0V CONSTANT	15200	0.33	12600	1.63	90	8.82	11.75	60	8.09	539	52.84
LS5N-14145	12.0 - 24.0	24.0V CONSTANT	8800	0.09	7500	0.32	65	6.37	5.06	70	1.85	471	46.18
LS5N-2073	6.0 - 18.0	12.0V CONSTANT	9400	0.14	7200	0.82	79	7.75	5.93	61	3.47	398	39.02
LP5N-2268	6.0 - 18.0	12.0V CONSTANT	8600	0.14	7100	0.89	93	9.11	6.87	65	4.41	560	54.90

馬達的出軸長度及性能參數，EMC 對策可依客人要求做調整，詳情可詢問相關業務人員。
Please inquire your sales representative for output, performance and EMC solution.

