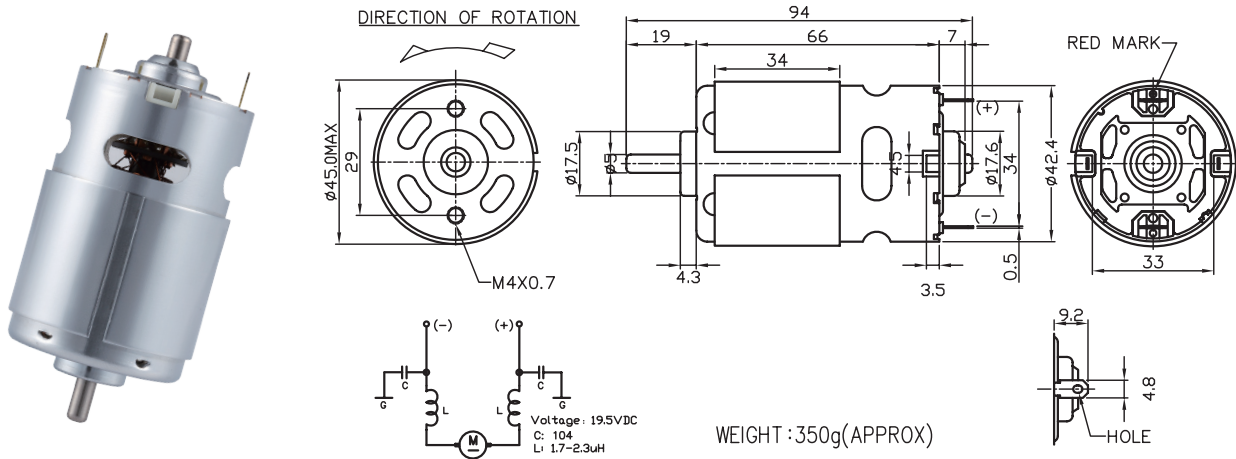


Application : Grass Trimmer 、Circular Saw 、Electric Sprayer

用途：割草機、電動工具、噴霧器



MODEL	VOLTAGE		NO LOAD		AT MAXIMUM EFFICIENCY					STALL			
	OPERATING RANGE	NOMINAL	SPEED rpm	CURRENT A	SPEED rpm	CURRENT A	TORQUE g-cm	TORQUE mN-m	OUTPUT W	EFF %	CURRENT A	TORQUE g-cm	TORQUE mN-m
775-3559	6.0 - 36.0	24.0V CONSTANT	7000	0.50	5862	2.19	620	61	37.32	72	14.03	4519	443
775-6027SF	18.0 - 36.0	36.0V CONSTANT	21500	1.75	18618	11.20	1446	142	276.46	71	71.15	10659	1045
775-8513SF	6.0 - 20.0	18.0V CONSTANT	21000	3.30	18904	18.55	1336	131	259.37	79	130.40	11170	1095
775-9009F	6.0 - 14.0	12.0V CONSTANT	21000	2.80	18000	21.07	1046	103	193.90	77	143.70	8225	806

馬達的出軸長度及性能參數，EMC 對策可依客人要求做調整，詳情可詢問相關業務人員。  
Please inquire your sales representative for output, performance and EMC solution.

