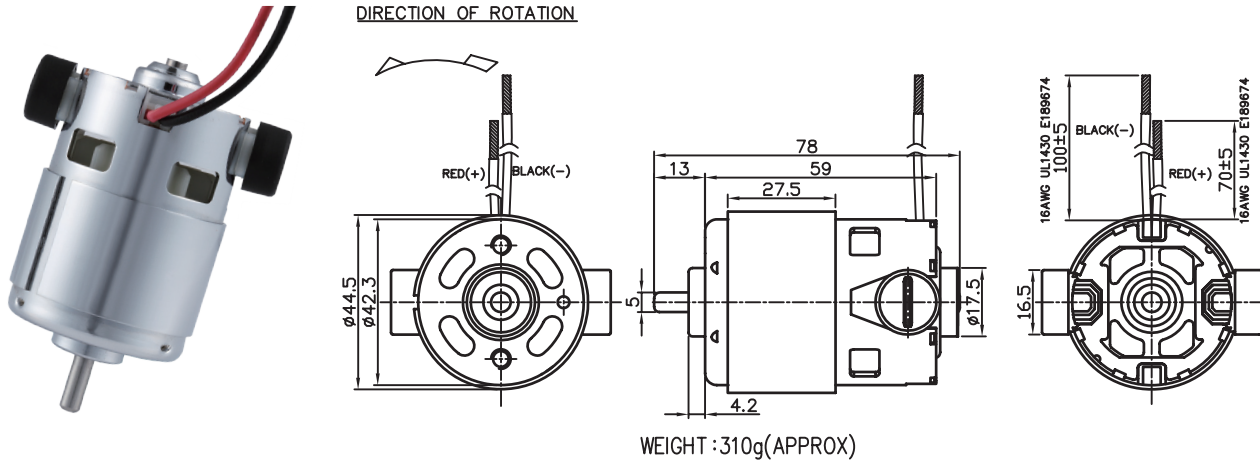


# 755BE

Carbon-brush motors

Application : Drill & Screwdriver

用途：電動工具



MODEL	VOLTAGE		NO LOAD		AT MAXIMUM EFFICIENCY					STALL			
	OPERATING RANGE	NOMINAL	SPEED rpm	CURRENT A	SPEED rpm	CURRENT A	TORQUE g-cm	OUTPUT W	EFF %	CURRENT A	TORQUE g-cm	TORQUE mN-m	
755BE-7515F	6.0 - 18.0	14.4V CONSTANT	20000	5.30	16779	20.58	1252	122.75	215.73	74	101.41	7437	729.12
755BE-8013F	6.0 - 15.0	12.0V CONSTANT	20000	5.50	16287	21.10	1092	107.06	182.65	74	103.04	6648	651.76
755BE-6521SF	6.0 - 24.0	18.0V CONSTANT	17000	4.00	15060	12.91	973	95.39	150.48	65	80.18	7494	734.71
755BE-7018F	6.0 - 20.0	18.0V CONSTANT	21500	4.50	17730	16.11	1106	108.43	201.38	72	89.67	7578	742.94

馬達的出軸長度及性能參數，EMC 對策可依客人要求做調整，詳情可詢問相關業務人員。  
Please inquire your sales representative for output, performance and EMC solution.

